

- HR UPUTE ZA MONTAŽU
- DE MONTAGEANLEITUNG
- ENG MOUNTING INSTRUCTIONS
- IT ISTRUZIONI DI MONTAGIO
- SLO NAVODILA ZA NAMESTITEV

**AQUAESTIL**



# SLIM CORNER

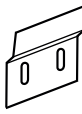
160

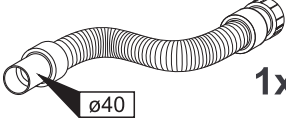
180

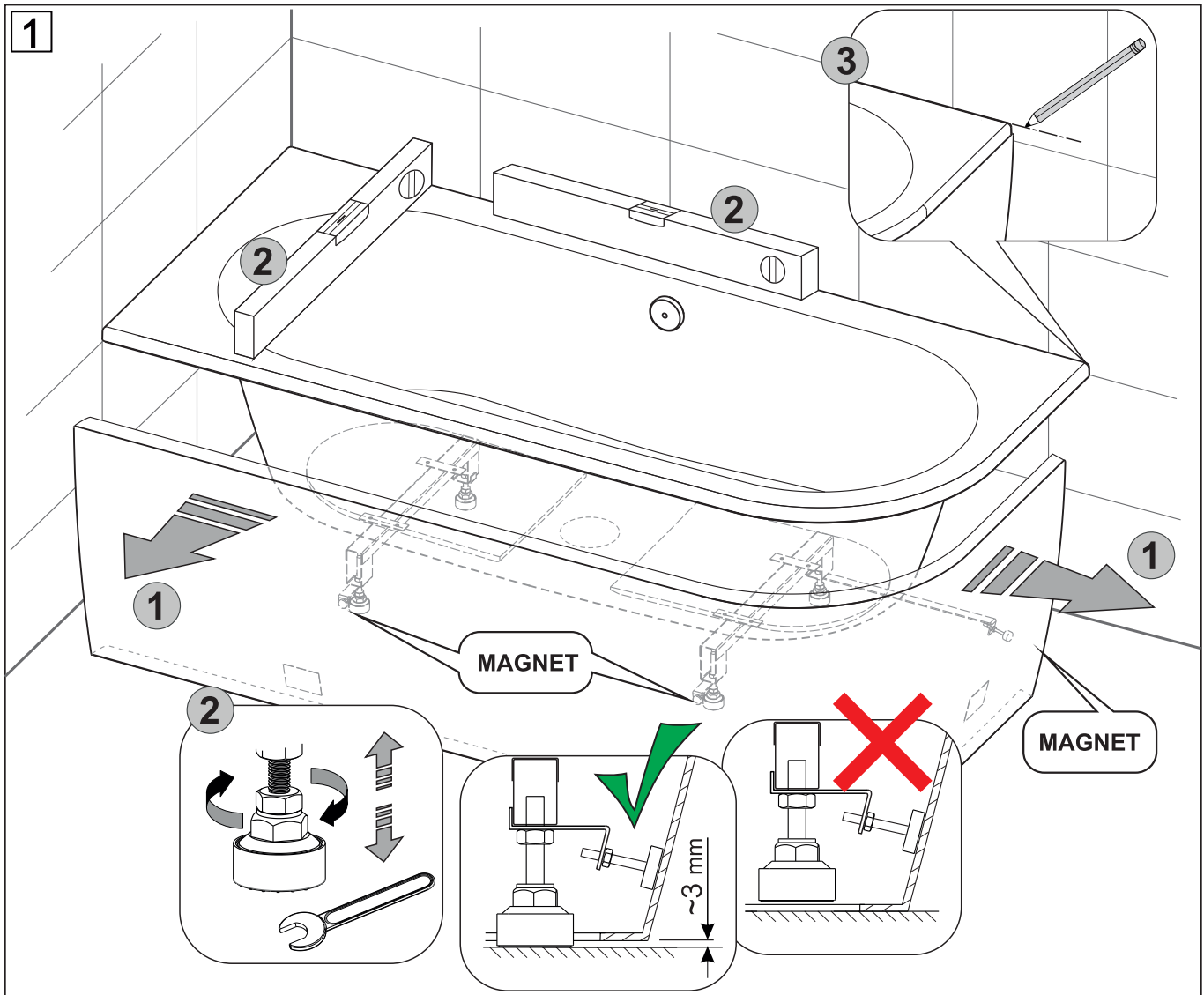
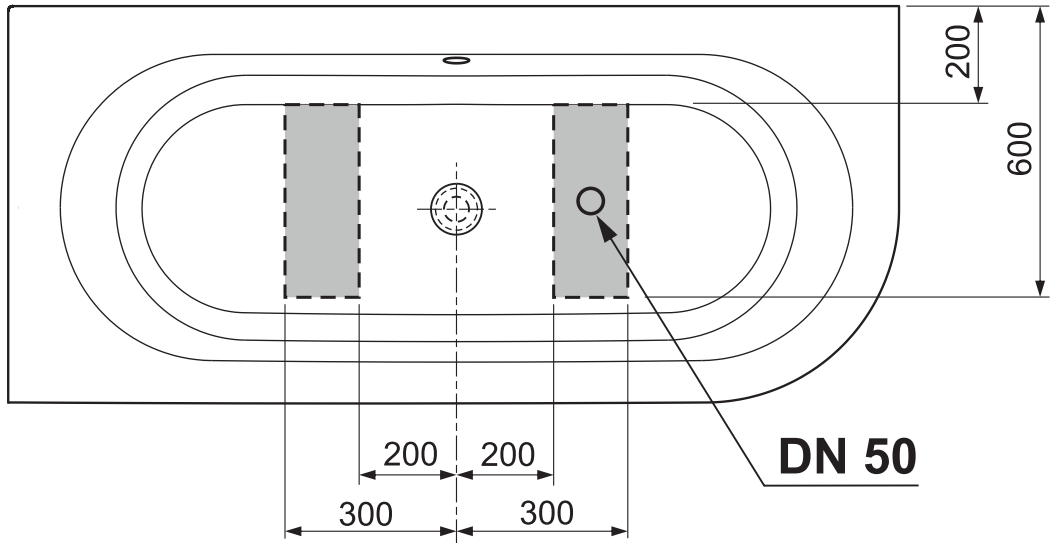
*Kada / Badewanne / Bathtub / Vasca / Kad*



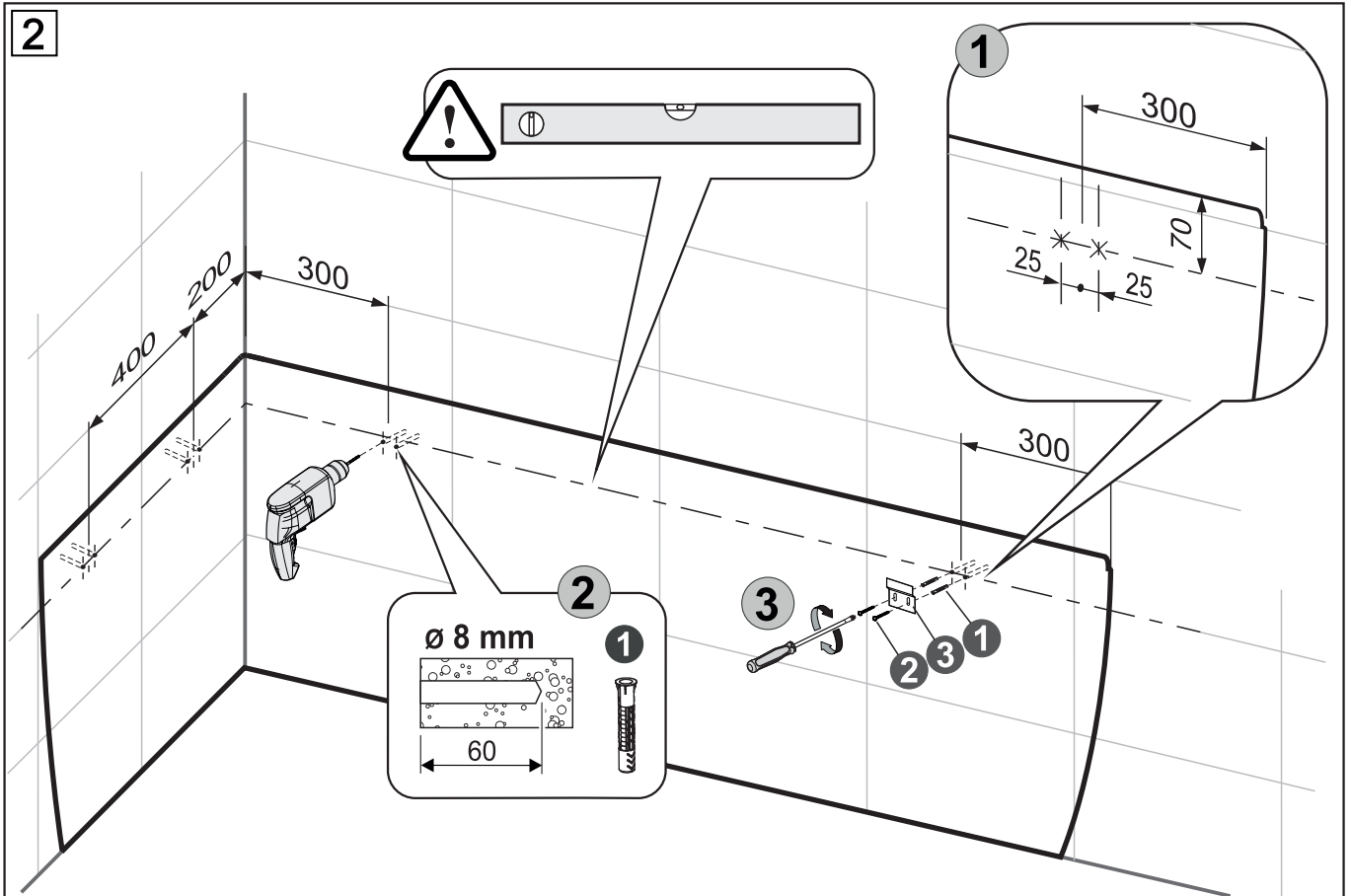
- 1   $\varnothing 8 \times 50$  mm
- 2   $\varnothing 5 \times 50$  mm

- 3  4x

- 4   $\varnothing 40$  1x



2



3

